



Vacuum Pump Exhaust Filters

Models | A30032EF to A31500EF

Flow Rates 4 SCFM (7 Nm³/hr) to 288 SCFM (489 Nm³/hr)

Walker Filtration's Alpha Simplex and Duplex Vacuum Pump Exhaust Filters are designed to remove oil mist from lubricated Vacuum Pumps – providing unrivalled filtration performance, reduced exhaust noise levels and an oil free working environment.

Alpha Vacuum Pump Exhaust Filters feature a comprehensive range with connection sizes ranging from 3/8" to 3". High performing Simplex Filters deliver exceptional results in oil mist removal from vacuum pumps, whilst the two-stage Duplex Filter removes both oil mist and odour.

Alpha elements utilise custom engineered media technology to provide market leading performance, significantly reducing pressure loss and energy consumption for low operational costs and increased operating efficiencies.



Effective Oil Mist Removal

Preventing potentially harmful contaminants being exhausted into the atmosphere



Optimised Filtration Performance

Alpha custom engineered media technology delivers a step change in performance



Duplex Filtration

Two-stage filtration within one filter unit

- **Exceptional Drainage** Manual drain fitted to all Vacuum Pump Protection Filters as standard
- **Market Leading Performance** Custom filter construction delivers optimum performance
- **Simplified Serviceability** Profiled bowl design and unique push fit elements ensure quick and reliable maintenance
- **Product Safety in Mind** Guaranteed safe housing closure with rotational safety stop
- **Corrosion Protection** Internal and external electrophoretic paint finish followed by a tough exterior polyester powder coating

For further information please visit www.walkerfiltration.com



For further information please call: +44 (0) 191 417 7816

Technical Specification

| Filter model | Pipe size inches | Exhaust flow rate* (vacuum displacement) | | Dimensions mm | | | | Weight Kg | Element model |
|--------------|------------------|--|------|---------------|----|------|-----|-----------|---------------|
| | | Nm/hr | SCFM | A | B | C | D | | |
| A30032EF | 3/8 | 7 | 4 | 70 | 23 | 231 | 70 | 0.6 | E30408EF |
| A30050EF | 1/2 | 11 | 7 | 70 | 23 | 231 | 70 | 0.6 | E30412EF |
| A30070EF | 1/2 | 20 | 12 | 127 | 32 | 285 | 80 | 1.7 | E30612EF |
| A30085EF | 3/4 | 25 | 15 | 127 | 32 | 285 | 80 | 1.7 | E30612EF |
| A30105EF | 1 | 29 | 17 | 127 | 32 | 285 | 80 | 1.7 | E30612EF |
| A30125EF | 3/4 | 35 | 21 | 127 | 32 | 370 | 80 | 2.0 | E30621EF |
| A30175EF | 1 | 50 | 29 | 127 | 32 | 370 | 80 | 2.0 | E30621EF |
| A30280EF | 1 1/4 | 75 | 44 | 140 | 41 | 476 | 85 | 3.0 | E30731EF |
| A30320EF | 1 1/2 | 85 | 50 | 140 | 41 | 476 | 85 | 3.0 | E30731EF |
| A30400EF | 1 1/2 | 100 | 59 | 170 | 53 | 508 | 100 | 4.9 | E30831EF |
| A30450EF | 2 | 115 | 68 | 170 | 53 | 508 | 100 | 4.9 | E30831EF |
| A30700EF | 2 | 180 | 106 | 170 | 53 | 708 | 100 | 5.5 | E30850EF |
| A30850EF | 2 1/2 | 200 | 118 | 220 | 70 | 736 | 100 | 10.5 | E31140EF |
| A30900EF | 3 | 234 | 138 | 220 | 70 | 736 | 100 | 10.5 | E31140EF |
| A31250EF | 3 | 360 | 212 | 220 | 70 | 857 | 100 | 11.5 | E31160EF |
| A31500EF | 3 | 489 | 288 | 220 | 70 | 1005 | 100 | 12.5 | E31175EF |

| Filter model | Pipe size inches | Exhaust flow rate* (vacuum displacement) | | Dimensions mm | | | | Weight Kg | Element model Exhaust Filter | Element model Activated Carbon | No. of Elements |
|--------------|------------------|--|------|---------------|-----|-----|----|-----------|------------------------------|--------------------------------|-----------------|
| | | Nm/hr | SCFM | A | B | C | D | | | | |
| D3038EFC | 3/8 | 7 | 4 | 70 | 199 | 204 | 70 | 1.0 | E30408DEF / E30408DAC | | 1/1 |
| D3058EFC | 1/2 | 11 | 7 | 70 | 199 | 204 | 70 | 1.1 | E30412DEF / E30412DAC | | 1/1 |
| D3059EFC | 1/2 | 20 | 12 | 100 | 236 | 240 | 80 | 2.3 | E30613DEF / E30613DAC | | 1/1 |
| D3078EFC | 3/4 | 25 | 15 | 100 | 236 | 240 | 80 | 2.3 | E30613DEF / E30613DAC | | 1/1 |
| D3079EFC | 3/4 | 35 | 21 | 100 | 356 | 360 | 80 | 3.1 | E30625DEF / E30625DAC | | 1/1 |
| D3109EFC | 1 | 50 | 29 | 100 | 356 | 360 | 80 | 3.2 | E30625DEF / E30625DAC | | 1/1 |

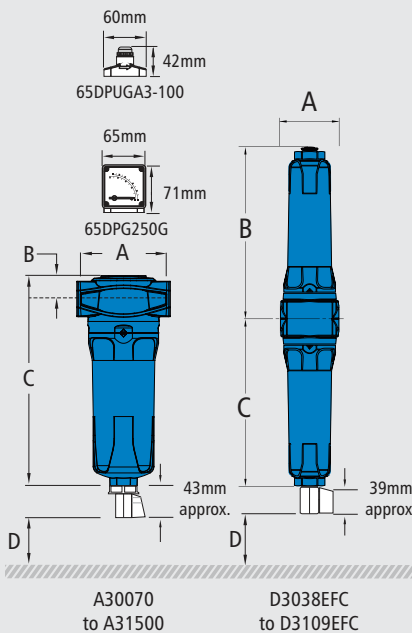
*Rated flow at atmospheric pressure, 1 bar (a) and 20°C

| Grade | EF | | DAC | |
|--------------------------------------|---------------------|----------|-------------------------|----------|
| Particle removal | 0.1 micron | | 0.1 micron | |
| Maximum oil carryover at 20°C (68°F) | 1 mg/m ³ | | 0.003 mg/m ³ | |
| Pressure loss - clean & dry | 25 mbar | 0.36 psi | 30 mbar | 0.44 psi |
| Pressure loss - saturated | 70 mbar | 1 psi | 75 mbar | 1.1 psi |
| Pressure loss - element change | 12 mths | 8000 hrs | at least every 6 months | |
| Maximum temperature | 120°C | 248°F | 50°C ** | 122°F ** |
| Maximum working pressure | 20.7 barg | 300 psig | 20.7 barg | 300 psig |
| Element end cap colour | Black | | Black | |

** Maximum recommended operating temperature 25°C (77°F)

Technical Notes

- Duplex filters provide a DEF grade element in the lower section for oil removal and a DAC grade element in the upper section for odour removal. Direction of air flow is inside to out through EF grade and outside to in through AC grade filter element.
- Pop up indicators (65DPUGA3-100) are fitted to models A30032EF to A30050EF. Differential pressure gauges (65DPG250G) are fitted to models A30070EF to A31500EF as standard.
- Manual drain valves (MDV25 on models A30032EF to A30050EF, D3038EFC to D3109EFC and MDVE25 on models A30070EF to A31500EF) are fitted as standard.
- Drain flasks are available for liquid collection, for use at atmospheric pressure or vacuum only - see price guide.
- Alpha Filters are manufactured from cast aluminium alloy and are PED 2014/68/EU compliant for group 2 gases.
- Activated Carbon Filters must not operate in oil saturated conditions and will not remove certain types of gases including carbon monoxide (CO) and carbon dioxide (CO₂).
- Threaded connections are Rp (BSP Parallel) to ISO 7-1 or NPT to ANSI/ASME B1.20.1 if supplied within North America. Rc (BSP Taper) to ISO 7-1 also available.
- For NPT threads, add the suffix N, e.g., A30070NEF, and for Rc threads add the suffix C, e.g. A30070CEF.
- Filter elements should be changed every 12 months / 8000 hours (whichever comes first). Activated Carbon Filter elements should be changed at least every 6 months.



CRN



Walker Filtration Ltd Birtley Road, Washington, Tyne & Wear, NE38 9DA, United Kingdom.

tel: +44 (0) 191 417 7816 fax: +44 (0) 191 415 3748 email: sales@walkerfiltration.co.uk web: www.walkerfiltration.com