



Compressed Air Dust Filters

Models | A30006 to A31500

Flow Rates 6 SCFM (10 Nm³/hr) to 1500 SCFM (2550 Nm³/hr)

Advancements in new technology, improved low differential pressure and a step change in performance ensures our Alpha Dust Filters are the ideal solution for installation downstream of regenerative compressed air and gas dryers.

With exceptional results in particle retention of up to 99.999%, and significantly reduced pressure loss, the Alpha Dust Filter ensures total protection of manufacturing equipment from dust carryover.

Available in a range of connection sizes from 1/8" to 3", the Alpha Dust Filters have a maximum temperature of 248°F (120°C) and increased operating pressure of 300 psig (20.7 barg).

Up to 99.999%
particle retention
when tested in
accordance with
ISO 12500-3



Modular Filter

Low cost connecting kits and new filter head design enables easy close coupling assembly



Filtration Technology

Alpha deep pleated media technology delivers a step change in performance



Product Safety in Mind

Lock indication arrows ensure effective sealing

- **Flow-Optimized Design** Advanced filter head design for optimized flow performance
- **Flexible Installation** Modular design and accessible fixings enable simple close coupling assembly
- **Market Leading Performance** Custom engineered filtration media delivers optimum performance in line with air quality standard ISO 8573-1: 2010
- **Simplified Serviceability** Profiled bowl design and push fit elements ensure quick and reliable maintenance
- **Corrosion Protection** Internal and external electrophoretic paint finish followed by a tough exterior polyester powder coating
- **Color Coded Element End Caps** Easy and accurate grade identification

For further information please visit www.walkerfiltration.com



For further information please call: **+1 814 836 2900**

Technical Specification

Filter model	Pipe size inches	Inlet flow rate*		Dimensions inches (mm)				Weight		Element model
		SCFM	Nm/hr	A	B	C	D	lbs	kg	
A30006 (grade)	1/8	6	10	1.97 (50)	0.67 (17)	6.18 (157)	2.36 (60)	0.6	0.3	E30306 (grade)
A30015 (grade)	1/4	15	25	1.97 (50)	0.67 (17)	6.18 (157)	2.36 (60)	0.6	0.3	E30306 (grade)
A30025 (grade)	1/4	25	42	2.76 (70)	0.91 (23)	9.09 (231)	2.76 (70)	1.3	0.6	E30408 (grade)
A30032 (grade)	3/8	32	54	2.76 (70)	0.91 (23)	9.09 (231)	2.76 (70)	1.3	0.6	E30408 (grade)
A30050 (grade)	1/2	50	85	2.76 (70)	0.91 (23)	9.09 (231)	2.76 (70)	1.3	0.6	E30412 (grade)
A30070 (grade)	1/2	70	119	5.00 (127)	1.26 (32)	11.22 (285)	3.15 (80)	3.7	1.7	E30612 (grade)
A30085 (grade)	3/4	85	144	5.00 (127)	1.26 (32)	11.22 (285)	3.15 (80)	3.7	1.7	E30612 (grade)
A30105 (grade)	1	105	178	5.00 (127)	1.26 (32)	11.22 (285)	3.15 (80)	3.7	1.7	E30612 (grade)
A30125 (grade)	3/4	125	212	5.00 (127)	1.26 (32)	14.57 (370)	3.15 (80)	4.4	2.0	E30621 (grade)
A30175 (grade)	1	175	297	5.00 (127)	1.26 (32)	14.57 (370)	3.15 (80)	4.4	2.0	E30621 (grade)
A30280 (grade)	1 1/4	280	476	5.51 (140)	1.61 (41)	18.74 (476)	3.35 (85)	6.6	3.0	E30731 (grade)
A30320 (grade)	1 1/2	320	544	5.51 (140)	1.61 (41)	18.74 (476)	3.35 (85)	6.6	3.0	E30731 (grade)
A30400 (grade)	1 1/2	400	680	6.69 (170)	2.08 (53)	20.00 (508)	3.94 (100)	10.8	4.9	E30831 (grade)
A30450 (grade)	2	450	765	6.69 (170)	2.08 (53)	20.00 (508)	3.94 (100)	10.8	4.9	E30831 (grade)
A30700 (grade)	2	700	1189	6.69 (170)	2.08 (53)	27.87 (708)	3.94 (100)	12.1	5.5	E30850 (grade)
A30850 (grade)	2 1/2	850	1444	8.66 (220)	2.76 (70)	28.97 (736)	3.94 (100)	23.1	10.5	E31140 (grade)
A30900 (grade)	3	900	1529	8.66 (220)	2.76 (70)	28.97 (736)	3.94 (100)	23.1	10.5	E31140 (grade)
A31250 (grade)	3	1250	2125	8.66 (220)	2.76 (70)	33.74 (857)	3.94 (100)	25.4	11.5	E31160 (grade)
A31500 (grade)	3	1500	2550	8.66 (220)	2.76 (70)	39.56 (1005)	3.94 (100)	27.6	12.5	E31175 (grade)

* Rated flow at 100 psig (7 barg), reference conditions at 14.7 psi(a) (1.014 bar(a)), 68°F (20°C)

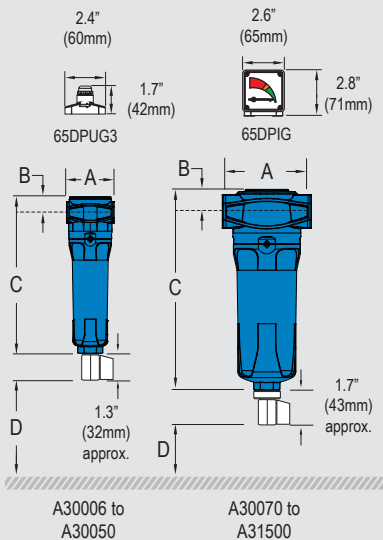
Grade	RX5		RX1		RXA		RAC	
Particle removal	5 micron		1 micron		0.01 micron		0.01 micron	
Max particle size class**	4		3		1		1	
Max oil carryover at 68°F (20°C)	-		-		-		0.003 ppm/0.003 mg/m ³	
Pressure loss - clean & dry	0.6 psi	40 mbar	1.1 psi	75 mbar	1.5 psi	100 mbar	1.1 psi	75 mbar
Pressure loss - element change	12 mths	8000 hrs	12 mths	8000 hrs	12 mths	8000 hrs	at least every 6 mths	
Max temperature	248°F	120°C	248°F	120°C	248°F	120°C	122°F***	50°C***
Max working pressure	300 psig	20.7 barg	300 psig	20.7 barg	300 psig	20.7 barg	300 psig	20.7 barg
Element end cap color	Green		Red		Blue		Black	

** to ISO 8573-1: 2010 *** Maximum recommended operating temperature 77°F (25°C)

Pressure correction factors	For maximum flow rate, multiply model flow rate by the correction factor corresponding to the minimum operating pressure									
Operating pressure psig (barg)	58 (4)	72 (5)	87 (6)	100 (7)	115 (8)	145 (10)	174 (12)	203 (14)	232 (16)	300 (20.7)
100 psig - correction factor	0.76	0.84	0.92	1.00	1.07	1.19	1.31	1.41	1.51	1.73

Technical Notes

- Direction of air flow is outside to in through the filter element.
- Pop up indicators (65DPUG3) are fitted to models A30025 to A30050 as standard. Differential pressure indicators (65DPIG) are fitted to models A30070 to A31500 as standard. Activated Carbon (AC) grade filters do not include DP equipment. Volt free contact options are available upon request - see price guide.
- Manual drain valves are fitted as standard (MDV25 on models A30006 to A30050 and MDVE25 on models A30070 to A31500).
- Activated Carbon Filters must not operate in oil saturated conditions and will not remove certain types of gases including carbon monoxide (CO) and carbon dioxide (CO₂).
- Alpha Filters are manufactured from cast aluminum alloy and are PED 2014/68/EU compliant for group 2 gases.
- Standard threaded connections are NPT to ANSI/ASME B1.20.1. RP (BSP Parallel) to ISO 7-1 and RC (BSP Taper) to ISO 7-1 are also available upon request.
- Filters are suitable for use with mineral and synthetic oils plus oil-free compressed air applications.
- Filter elements should be changed every 12 months / 8000 hours (whichever comes first). Activated carbon filter elements should be changed every 6 months.



CRN



Walker Filtration Inc, 4748 Pacific Avenue, Erie, PA 16506, USA
 tel: +1 814 836 2900 fax: +1 814 836 7921 email: usa@walkerfiltration.com web: www.walkerfiltration.com