



# Fabricated Flanged Coalescing Filters

Models | NA684 to NA12823

Flow Rates 2800 SCFM (4757 Nm<sup>3</sup>/hr) to 16100 (27354 Nm<sup>3</sup>/hr)

**As a filtration solution for larger flow applications of up to 16100 SCFM (27354 Nm<sup>3</sup>/hr), Walker Filtration's range of flanged filters offers 10 models ranging from 6" to 12" flanged connections.**

Constructed from robust carbon steel with an anti-corrosion Walker E-Coat™ finish, all flanged housings are fitted with a dual sided differential pressure indicator for easy viewing. Permanent drainage is provided via a side mounted drain port.

Featuring our custom engineered oleophobic borosilicate filtration media and custom engineered re-entrainment layer, filter elements guarantee exceptional dirt holding capacity and drainage capabilities. The unique material construction also minimizes pressure drop by providing exceptional filtration performance with low operational costs.

Four grades of filter elements are available, from 5 micron to 0.01 micron including Activated Carbon.



- **Quality Design and Build** Designed and manufactured in accordance with ASME VIII, Div 1, and U stamped for the USA
- **Market Leading Performance** Custom engineered filtration media deliver exceptional filtration with minimal pressure drop
- **Corrosion Protection** Internal and external electrophoretic paint finish followed by a tough exterior polyester powder coating
- **Optimized Filtration** Oleophobic borosilicate filtration media with custom re-entrainment layer for exceptional dirt holding and drainage

For further information please visit [www.walkerfiltration.com](http://www.walkerfiltration.com)

For further information please call: +1 814 836 2900



# Technical Specification

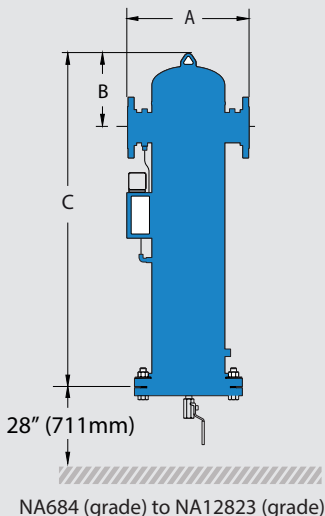
Filter model	Pipe size inches	Inlet flow rate*		Dimensions inches (mm)			Weight		Element model	No. of Elements
		SCFM	Nm <sup>3</sup> /h	A	B	C	lbs	Kg		
NA684 (grade)	6" flanged	2800	4757	20.50 (521)	13.03 (331)	52.97 (1345)	439.0	199.0	E88 (grade)	4
NA685 (grade)	6" flanged	3500	5947	20.50 (521)	13.03 (331)	52.97 (1345)	439.0	199.0	E88 (grade)	5
NA686 (grade)	6" flanged	4200	7136	22.00 (559)	13.72 (348)	52.72 (1339)	536.0	243.0	E88 (grade)	6
NA888 (grade)	8" flanged	5600	9514	24.00 (610)	15.41 (391)	54.23 (1377)	647.0	293.0	E88 (grade)	8
NA8810 (grade)	8" flanged	7000	11893	28.00 (711)	16.42 (417)	56.30 (1430)	778.0	353.0	E88 (grade)	10
NA10812 (grade)	10" flanged	8400	14272	28.00 (711)	18.65 (474)	59.53 (1512)	936.0	425.0	E88 (grade)	12
NA10814 (grade)	10" flanged	9800	16650	28.00 (711)	18.65 (474)	59.53 (1512)	936.0	425.0	E88 (grade)	14
NA10816 (grade)	10" flanged	11200	19029	33.00 (838)	20.14 (512)	61.02 (1550)	1214.0	551.0	E88 (grade)	16
NA10818 (grade)	10" flanged	12600	21407	33.00 (838)	20.14 (512)	61.02 (1550)	1214.0	551.0	E88 (grade)	18
NA12823 (grade)	12" flanged	16100	27354	CF	CF	CF	CF	CF	E88 (grade)	23

\*Rated flow at 100 psig (7 barg), reference conditions at 14.7 psi(a) (1.014 bar(a)), 68°F (20°C)

Grade	X5		X1		XA		AC	
Particle removal	5 micron		1 micron		0.01 micron		0.01 micron	
Maximum particle size class**	3		2		1		1	
Maximum oil content	4		2		1		1	
Maximum oil carryover at 68°F (20°C)	5 ppm	5 mg/m <sup>3</sup>	0.1 ppm	0.1 mg/m <sup>3</sup>	0.01 ppm	0.01 mg/m <sup>3</sup>	0.003 ppm	0.003 mg/m <sup>3</sup>
Pressure loss: clean and dry	0.6 psi	40 mbar	1.1 psi	75 mbar	1.5 psi	100 mbar	1.1 psi	75 mbar
Pressure loss: saturated	1.1 psi	75 mbar	2.2 psi	150 mbar	4.4 psi	300 mbar	-	-
Pressure loss: element change	6 psi	400 mbar	6 psi	400 mbar	6 psi	400 mbar	at least every 6 months	
Maximum temperature	248°F	120°C	248°F	120°C	248°F	120°C	122°F***	50°C***
Maximum working pressure	235 psig	16 barg	235 psig	16 barg	235 psig	16 barg	235 psig	16 barg
Element end cap color	black							

\*\*to ISO 8573-1:2010 \*\*\* Recommended operating temperature 77°F (25°C)

Pressure correction factor	formaximumflowrate,multiplymodelflowratebythecorrectionfactorcorrespondingtotheminimumoperatingpressure													
Operating pressure psig (barg)	4 (0.3)	9 (0.6)	14.5 (1)	29 (2)	44 (3)	58 (4)	72 (5)	87 (6)	100 (7)	115 (8)	145 (10)	174 (12)	203 (14)	232 (16)
100 psig - correction factor	0.21	0.29	0.38	0.53	0.65	0.76	0.84	0.92	1.00	1.07	1.19	1.31	1.41	1.51



## Technical Notes

1. Flanged filters are fabricated from carbon steel.
2. Flanged filters are designed and manufactured in accordance with ASME VIII, Div 1. and U Stamped for the USA.
3. Flanged connections are to ANSI 150 #RF.
4. Filter element bottom end caps are color coded black and are internally threaded to ease installation.
5. Activated Carbon Filters must not operate in oil saturated conditions.
6. Activated Carbon Filters will not remove certain types of gases including carbon monoxide and carbon dioxide.
7. Grade AC elements must be changed periodically to suit application but at least every six months.
8. Differential pressure indicators are fitted to all models.
9. Inlet and outlet pressure tapings are included to facilitate pressure gauge installation.
10. ½" manual drain valves are fitted to NA684 (grade) to NA8810 (grade), 1" fitted to NA10812 (grade) and NA12823 (grade) as standard.
11. An additional side entry drain port is included on all models.
12. Flanged filters and filter elements are suitable for use with mineral and synthetic oils plus oil free compressed air applications.

