



PRO MV Medical Vacuum

Models | XM241MV to XM472FMV

Designed to meet the requirements of global medical gas pipeline standards, PRO MV offers an innovative and compact alternative to fabricated flanged Medical Vacuum Filters. By expanding the range to include threaded variants, PRO MV delivers a comprehensive product range for use in medical vacuum installations.

Situated on the suction side of a vacuum pump, the PRO MV is designed for use in critical medical applications to remove solid, liquid and bacterial contamination. Providing complete peace of mind that potentially hazardous biological contagions are prevented from entering the vacuum pump and being exhausted into the surrounding environment.

Designed to comply with HTM 02-01, NFPA 99, ISO 7396-1 and AS 2896



Top loading design

For easy access to the filter element via top endcap for quick and simple change out



Threaded and Flanged Filters

2" to 3" Rp (BSPP) and NPT, and DN80 (3") to DN100 (4") flanged connections



Unique Filter Element

New patented endcap enhances air flow and reduces differential pressure

- High Efficiency Medical Grade Filter Element** PRO MV's unique filtration media and deep pleat element technology provides minimal pressure loss and improved dirt holding capacity. Low pressure loss borosilicate glass microfiber-media reduces energy consumption for low total cost of ownership
- Quick and Easy Maintenance** Engineered profiled O-ring seal prevents air bypass, protecting the 'Easy Grip' filter element handle from coming into contact with contaminants, allowing clean and efficient element change out
- Exceptional Build Quality** Manufactured using the highest quality materials, our PRO MV Medical Vacuum range provides complete reassurance that required standards are met
- 'Drop and Lock' Filter Element** 'Easy Grip' element handle and 'drop and lock' feature simplifies element change out - offering up to 80% savings in service and installation time*



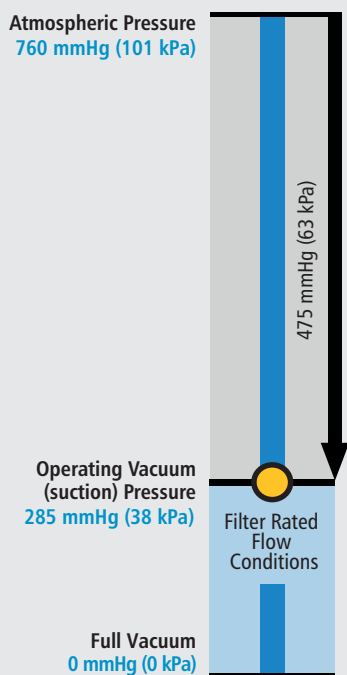
*when comparing PRO MV flanged filters with traditional fabricated vessels



Technical Specification

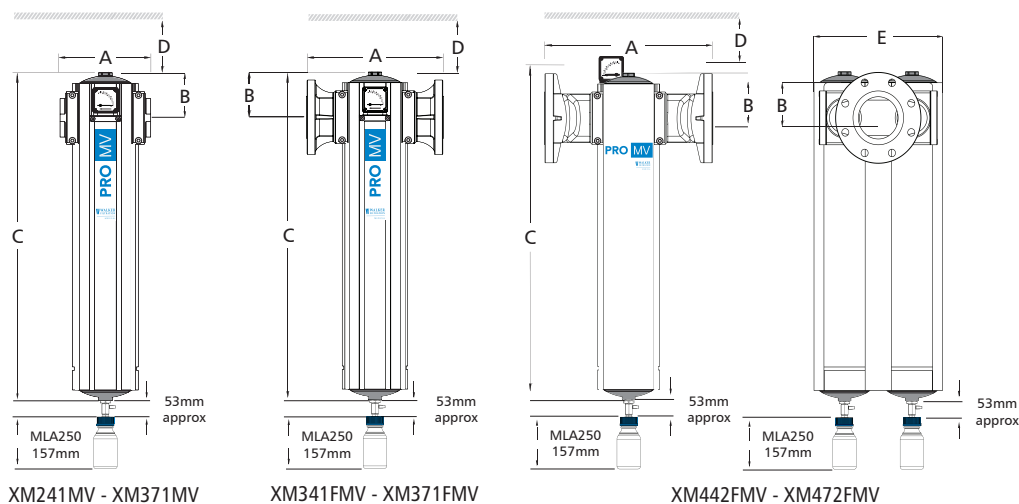
Filter model	Pipe size inches	Maximum Rated Flow at an Operating Vacuum (Suction) Pressure of 475 mmHg (63 kPa) [383.25 mbar(a)]						Dimensions mm					Weight Kg	Element model	No. of Elements
		Free Air Aspirated (FAA)			Rarified Air Flow			A	B	C	D	E			
		NL/min	Nm³/h	SCFM	L/min	m³/h	CFM								
XM241MV	2"	2300	138	81	6081	365	215	232	116	620	550	171	12.8	E1142MV	1
XM251MV	2 1/2"	3000	180	106	7932	476	280	232	116	620	550	171	12.8	E1142MV	1
XM341MV	3"	3300	198	117	8725	523	308	232	116	620	550	171	12.8	E1142MV	1
XM361MV	3"	4000	240	141	10575	635	373	232	116	840	750	171	16.5	E1162MV	1
XM371MV	3"	4500	270	159	11897	714	420	232	116	998	950	171	19.02	E1172MV	1
XM341FMV	3" Flanged	3300	198	117	8725	523	308	352	116	620	550	171	16.7	E1142MV	1
XM361FMV	3" Flanged	4000	240	141	10575	635	373	352	116	840	750	171	20.4	E1162MV	1
XM371FMV	3" Flanged	4500	270	159	11897	714	420	352	116	998	950	171	22.92	E1172MV	1
XM442FMV	4" Flanged	6600	396	233	17449	1047	616	457	116	670	550	343	30.8	E1142MV	2
XM462FMV	4" Flanged	8000	480	283	21151	1269	747	457	116	890	750	343	37.65	E1162MV	2
XM472FMV	4" Flanged	9000	540	318	23795	1428	840	457	116	1048	950	343	42.29	E1172MV	2

NOTE: Rated flows are stated at HTM 02-01 conditions. For flows at other operating pressures, please consult Walker Filtration Ltd. Operating vacuum (suction) pressure is stated at the filter outlet (i.e. vacuum pump or suction side) Standard (reference) atmosphere: 101.325 kPa (1013.25 mbar(a)), 20°C



Grade	MV
Element end cap colour	Black
Particle removal efficiency	>99.995%*
Maximum temperature	60°C (140°F)
Pressure loss - clean & dry	≤ 3 kPa (30 mbar / 0.44 psig)
Maximum working pressure	0.5 barg (7 psig)
Maximum working vacuum	Full Vacuum

*In accordance with BS3928:1969



Technical notes

- Direction of flow is outside to inside through the element.
- Filter elements should be replaced at least every 6 months.
- Differential pressure gauges (65DPG250B) are fitted to all models as standard. Volt free contact options are available - see price guide.
- Manual drain valves (MDV25XM) are fitted to all models. Sterilisable glass drain flasks are supplied as standard, 250ml for all models.
- Threaded connections are Rp (BSPP parallel) to ISO 7-1 or NPT to ANSI/ASME B1.20.1 if supplied within North America. Rc (BSP Taper) to ISO 7-1 also available.
- For NPT connections add the suffix 'N' e.g. XM241NMV.
- Flanged connections are EN 1092, DN80 PN16 (3") and DN100 PN16 flanged (4"), or ANSI B16.5 class 150 (3") and 150lb (4"). Filters supplied as standard, i.e. XM341FMV, will be supplied with DN type flanges. For 3" ANSI 150lb and 4" ANSI 150lb flanges add the suffix 'P' to the part number e.g. XM341FPMV.
- Floor mounting brackets (XMMBK2 and XMMBK3) are available for all models - see price guide.

